



Installation, Operation and Maintenance Manual

Steambath Generator Systems

Residential Models: MX4E-6E

IMPORTANT: Leave this material with the homeowner.

mr.steam® | Feel Good Inc.®

RESIDENTIAL STEAMBATH GENERATOR SYSTEMS

MODEL _____

Installation, Operation and Maintenance Manual

SERIAL NO. _____

MODELS: MX4E, MX5E, MX6E

INSTALLER'S SECTION:

IMPORTANT SAFETY INFORMATION2-3

PRE-INSTALLATION INFORMATION

Steam Room Guidelines4

Water Quality4

STEAM GENERATOR

Locating the Steam Generator5

Sizing6

Clearance Specifications7

Generator Dimensions8

Replacement Parts9

PLUMBING

General Plumbing10

Steam Supply Plumbing11

Steamheads12

ELECTRICAL

Instructions and Electrical Chart13

Wiring Diagrams14

Connecting Multiple Generators15

POST-INSTALLATION INFORMATION

Generator and Start-Up Checkout15

Troubleshooting16-17

OPTIONS & ACCESSORIES

Controls18

AutoFlush19

Condensation Pan20

Other Accessories/Options21

HOMEOWNER'S SECTION:

Important Safety Information22-23

Care Tips24

Essential Oils24

Warranty24



mr.steam[®] Sussman-Automatic Corporation[®] hello@mrsteam.com www.mrsteam.com

43-20 34th Street, Long Island City, NY 11101 TEL: 1 800 76 STEAM

9410 S. La Cienega Blvd. Inglewood CA 90301 TEL: 1 800 72 STEAM

Designed, Engineered
and Assembled in the
★★★★★
USA

PUR 100420A Rev 3.20

INSTALLER SECTION

IMPORTANT SAFETY INFORMATION

As you follow these instructions, you will notice warning and caution symbols. This blocked information is important for the safe and efficient installation and operation of this steam bath systems. These are types of potential hazards that may occur during installation and operation:

WARNING Indicates a potentially hazardous situation, which, if not avoided, could result in death or serious injury.

CAUTION Indicates a potentially hazardous situation, which, if not avoided may result in minor or moderate injury or product damage.

NOTICE This highlights information that is especially relevant to a problem-free installation.

All information in these instructions is based on the latest product information available at the time of publication. Sussman-Automatic Corporation reserves the right to make changes at any time without notice. More current instructions may be available at www.mrsteam.com.

WARNING Applies to 1-13

1. Never use damaged equipment, doing so may result in an inoperative or hazardous installation.
2. Discontinue use of the steam generator and control if the steam generator or control are damaged or otherwise not functioning properly. Using damaged equipment may result in an inoperative or hazardous installation.
3. The MAX series of steam generators are for residential use only. Commercial or other nonresidential applications void the warranty and may adversely affect product performance and may represent a safety hazard.
4. Read these instructions before installation, operation or service.
5. Although the MAX steambath generators have been fully qualified for shipment by MrSteam®, the following must be reviewed for proper, safe and enjoyable steam bathing:
 - Verify that the model and accessories specifications are correct for the incoming line voltage.
 - Insure steambath generator has been correctly sized for the steam room. Pay particular attention to room volume and construction. If any questions, please refer to MrSteam sizing and selection guide on page 6 or call MrSteam.
6. Supervise children at all times.
7. Steam is hot and can cause injury or death if improperly used. Steam rooms contain steam and elevated temperatures. Please read and observe all warnings in this manual before installing or using a steam room.
8. Prolonged use of the steam system can raise excessively the internal human body temperature and impair the body's ability to regulate its internal temperature (hyperthermia). Limit your use of steam to 10-15 minutes until you are certain of your body's reaction.
9. Excessive temperatures have a high potential for causing fetal damage during the early months of pregnancy. Pregnancy or possibly pregnant women should consult a physician before using a steam bath.

10. Obese persons and persons with a history of heart disease, low or high blood pressure, circulatory system problems, or diabetes should consult a physician before using a steambath.
11. Persons using medication should consult a physician before using a steambath since some medication may induce drowsiness while other medications may affect heart rate, blood pressure and circulation.
12. Electric shock hazard. MrSteam steam generators are connected to high voltage and contain live electrical components. All installation and service to be performed by qualified and licensed electricians and plumbers only. Installation or service by unqualified persons or failure to use MrSteam parts may result in property damage or in a personal injury.
13. If you are pregnant, have a coronary condition, are in poor health, are being treated for any other medical condition, or are using medication or drugs, MrSteam recommends that you obtain the approval of a physician before use.

CAUTION Applies to 14-17

14. The wet surfaces of steam enclosures may be slippery. Use care when entering or leaving. To prevent slip and fall hazards non-slip strips must be installed on the steam room floor.
15. The steamhead is hot. Do not touch the steamhead and avoid the steam near the steamhead.
16. The information in this manual should be used in conjunction with consultations with an architect, designer and contractor in determining factors necessary in providing a suitable and safe steam room.
17. MrSteam steam generators must be operated with MrSteam controls and accessories only, and are to be installed strictly in accordance with the specific instructions contained in this manual and as supplied in the manuals provided with the controls or accessories.

IMPORTANT SAFETY INFORMATION (cont.)

NOTICE Applies to 18-23

- 18. This document contains important safety, operation and maintenance information. Leave this document with the homeowner. Do not discard this document.
- 19. Consider any controls and accessories before installation. Read the Installation and Operation Manual of all controls and accessories available at www.mrsteam.com.
- 20. Record the model and serial number of the steam generator in the space provided in the table of contents of this manual.
- 21. If acrylic, fiberglass or other non-heat resistant materials are used as part of the steam room enclosure, consult with the material manufacture and see page 12, "Steamhead Installation" for additional details.
- 22. Carefully inspect the steam generator and packaging for shipping damage. In the event of shipping damage, please contact the carrier for claim information. MrSteam customer service department can assist you with any missing or damaged parts.
- 23. The physical size of the steam generator, clearance for plumbing servicing, and its distance from the steam room must all be considered before installation.

WARNING

HYPERTHERMIA occurs when the internal temperature of the body reaches a level several degrees above the normal body temperature of 98.6° F. The symptoms of hyperthermia include an increase in the internal temperature of the body, dizziness, lethargy, drowsiness, and fainting. The effects of hyperthermia include:

- a) Failure to perceive heat.
- b) Failure to recognize the need to exit the steambath.
- c) Unawareness of impending risk.
- d) Fetal damage in pregnant women.
- e) Physical inability to exit the steambath.
- f) Unconsciousness.

The use of alcohol, drugs, or medication can greatly increase the risk of hyperthermia.

WARNING The manual supplied with the generator includes a peel and stick warning label. Its proper use is an essential part of providing a safe environment for steam room users. The peel and stick warning label must be applied to the wall of the shower or steam enclosure, at a point that is visible to all users. Failure to install this sticker may result in serious injury or death. The location where this owner's manual is kept shall be written in the space provided on the label using permanent ink. For a replacement warning label contact MrSteam customer service at 1-800-76-STEAM or hello@mrsteam.com.


WARNING

REDUCE THE RISK OF OVERHEATING AND SCALDING

1. EXIT IMMEDIATELY IF UNCOMFORTABLE, DIZZY OR SLEEPY. STAYING TOO LONG IN A HEATED AREA IS CAPABLE OF CAUSING OVERHEATING.
2. SUPERVISE CHILDREN AT ALL TIMES.
3. CHECK WITH A DOCTOR BEFORE USE IF PREGNANT, DIABETIC, IN POOR HEALTH OR UNDER MEDICAL CARE.
4. BREATHING HEATED AIR IN CONJUNCTION WITH CONSUMPTION OF ALCOHOL, DRUGS, OR MEDICATION IS CAPABLE OF CAUSING UNCONSCIOUSNESS.
5. DO NOT CONTACT STEAMHEAD OR STEAM AT THE STEAMHEAD.

REDUCE THE RISK OF SLIPPING AND FALL INJURY

1. USE CARE WHEN ENTERING OR EXITING THE STEAM ROOM. FLOOR MAY BE SLIPPERY

NOTE: FOR ADDITIONAL SAFETY CONSIDERATIONS SEE OWNER'S MANUAL WHICH IS KEPT: _____
 THE OWNER'S MANUAL CAN BE FOUND AT WWW.MRSTEAM.COM

USE OF STEAM ROOM IN CONJUNCTION WITH CONSUMPTION OF ALCOHOL CAN BE DANGEROUS AND CAN RESULT IN INJURY THROUGH SLIP AND FALL OR OTHERWISE.

PRE-INSTALLATION CONSIDERATIONS

STEAM ROOM GUIDELINES

⚠ WARNING To prevent slip and fall hazards non-slip strips must be installed on the steam room floor.

NOTICE Applies to 1-9

1. The steam room must be completely enclosed, with full walls, door, floor and ceiling as required to contain the steam and prevent moisture damage outside the steam room.
2. It is recommended that a gasketed door is used for steam containment.
3. Check the suitability of any materials with the manufacturer. All steam room surfaces and products must be constructed of heat-resistant and water-resistant, non-corrosive surface, such as tile, marble, molded acrylic, or other non-porous material.
4. Provide a floor drain for condensate gravity drainage.
5. No heating, venting or air conditioning devices should be installed inside the steam room.
6. Steam room tile construction information is available from the Tile Council of America, Inc. by purchasing the TCA Handbook for Ceramic Tile Installation. Tel. (864) 646-8453 or www.tileusa.com.
7. Steam room windows should be double paned and tempered safety glass.
8. For optimal results, limit steam room ceiling height to 8 feet. Exceeding 8 feet may require a higher-rated steam generator. See page 6 for additional steam generator sizing information.
9. The information in this manual should be used in conjunction with consultations with an architect, designer and contractor in determining factors necessary in providing a suitable and safe steam room.

WATER QUALITY

NOTICE Applies to 1-5

1. The water supply should be tested prior to installation. If the mineral content exceeds the following recommended limits, water treatment is recommended.

RECOMMENDED FEEDWATER QUALITY

Hardness, ppm 8 – 85 (~0.5 – 5 gpg)
 P-Alkalinity, ppm 85 – 410 (~5 – 24 gpg)
 T. Alkalinity, ppm 200 – 500 (~12 – 30 gpg)
 pH (strength of alkalinity) 8.0 – 11.4

2. An analysis of the water must be made by a recognized and reliable water treatment company to ascertain the condition and treatment required.
3. Poor water quality can affect steam generator efficiency and/or result in steam generator damage. Water contains impurities in solution and suspension. These impurities concentrate in the generator. The concentration of these impurities increases as more water is introduced into the generator and steam is produced. A deposit or "scale" will form on the generator internal surfaces. This deposit can interfere with the proper generator operation and cause generator failure. The concentration of these impurities is generally controlled by the water quality and by periodic draining of the generator.
4. In "hard" water areas, the manual drain valve should be opened as required to fully flush out accumulated materials, salts and other particles which are natural by-products of boiling water.
5. The optional AutoFlush automatically drains the generator following each use. A time delay allows the water to cool down (about two hours) before it drains by gravity for a safe and gentle operation. See page 19 for additional AutoFlush information.

LOCATING THE STEAM GENERATOR

⚠ WARNING Applies to 1-6

1. Do not route iSteam, AirTempo, iTempo/Plus, iTempo OR any control wiring inside conduit together with power lines or close to hot water or steam piping. Doing so may result in an inoperative or hazardous installation.
2. Installation or operation of the steam generator in an ambient temperature above 113° F (45 °C) may result in a hazardous condition or property damage.
3. Do not install the steambath generator inside steam room, a shock hazard and/or equipment damage will occur.
4. Do not install steambath generator outdoors or wherever environmental conditions may result in a shock hazard and/or equipment damage.
5. To prevent a fire hazard, do not install the steambath generator near flammable or corrosive materials or chemicals such as gasoline, paint thinners, or the like.
6. Installation in areas having high concentrations of chlorine (such as pool equipment room) must be avoided.

⚠ CAUTION Applies to 7-11

7. Do not install the steambath generator or plumbing line in an unheated attic or any locations where water could freeze and cause pipes to rupture and cause property damage.
8. Steam piping, safety valve, drain valve and plumbing become hot during operation and remain hot after shut-down for a period of time. Provide appropriate protection, including insulating plumbing lines. Avoid plumbing runs and steamhead locations that can come in contact with bathers to prevent a burn hazard.
9. Install the steambath generator on a solid and level surface.
10. Install the steambath generator in an upright position only to prevent damage to the generator, pipes and electrical system. Failure to install in an upright position may result in a leak or shock hazard.
11. Do not hang the MAX steam generator on a wall. Hanging the MAX generator on a wall may result in a leak, shock hazard or equipment damage.

NOTICE Applies to 12-18

12. Provide a minimum of 18" on the left side and 21" at the top of the steam generator or as required for servicing. See page 7 for complete information.
13. Select a location as near as practical to the steam room. Typical locations include heated attic or basement.
14. The standard length of the cable for connecting the control to the steam generator is 30 feet. The steam generator and control must be located accordingly. A 60 foot cable is available as a special order part for iTempo® (PN 103990-60) and for iSteam® (PN 104117-60). The maximum cable length is 60 feet.
15. Install anti-water hammer device as necessary.
16. The control cable should be run in a dedicated 1-inch conduit to facilitate installation and service.
17. Provide unions as required to facilitate installation and removal of the steam generator.
18. The minimum clearance from combustible surfaces is zero all around.

CHECKING STEAM GENERATOR FOR CORRECT SIZING

Materials of construction, room size and special design features such as large glass areas, all affect the steam generator model selection.	
1. Measure length, width & height in feet of the steam/shower or tub/shower	
Multiply the Length ____ x Width ____ x Height ____ =	ROOM VOLUME
2. Construction Materials:	
For natural stones: natural marble, stone, shale, glass block or concrete	Add 110%
For ceramic or porcelain tile on cement board or mortar bed	Add 40%
3. Ceiling Height: For each foot above 8 feet (max. of 10 feet)	Add 15%
4. Add all figures above to obtain the Total Room Volume required	

Compare your **Room Volume** to the **Chart** below and select the appropriate model.



RESIDENTIAL STEAM GENERATORS SPECIFICATION CHART							
Model No.	KW	Amps (for 240v/1PH)†	Wire Size‡	Total Adj. Room Vol.	Water Usage Gallons††	Dimensions*	Shipping Wt. (lbs)**
MX4E	20	84	3	875	2.7	25½"L x 20¾"H x 7¾"D	67
MX5E	24	100	1	1075	3.2	25½"L x 20¾"H x 7¾"D	67
MX6E	30	125	2/0	1275	4.0	25½"L x 20¾"H x 7¾"D	67

NOTICE Applies to 1-8

- † Amps are for 240/1PH rated units.
- ‡ Wire size (AWG) based on minimum 90°C rated THHN copper conductors. Refer to the National Electrical Code for other types of conductors.
- *Dimensions are for generator only, without AutoFlush or plumbing features. See page 8 for complete dimensional information.
- **Shipping weight is for generator only, without control or steamhead.
- †† Water usage based on 20 minutes of operation.
- For steam rooms constructed of acrylic or synthetic materials, subtract 15% from the room volume.
- The MrSteam Sizing Chart allows for up to 60 feet of insulated steam piping from the generator to the steam room. If a 60 foot piping is exceeded consult with factory.
- Occasionally a steam room has unforeseeable or hidden construction that requires special sizing or other consideration. MrSteam is not responsible if unconventional and/or unforeseeable materials or construction details result in a unit that does not operate to specification. If the sizing chart does not include the required options, please contact MrSteam to review sizing.

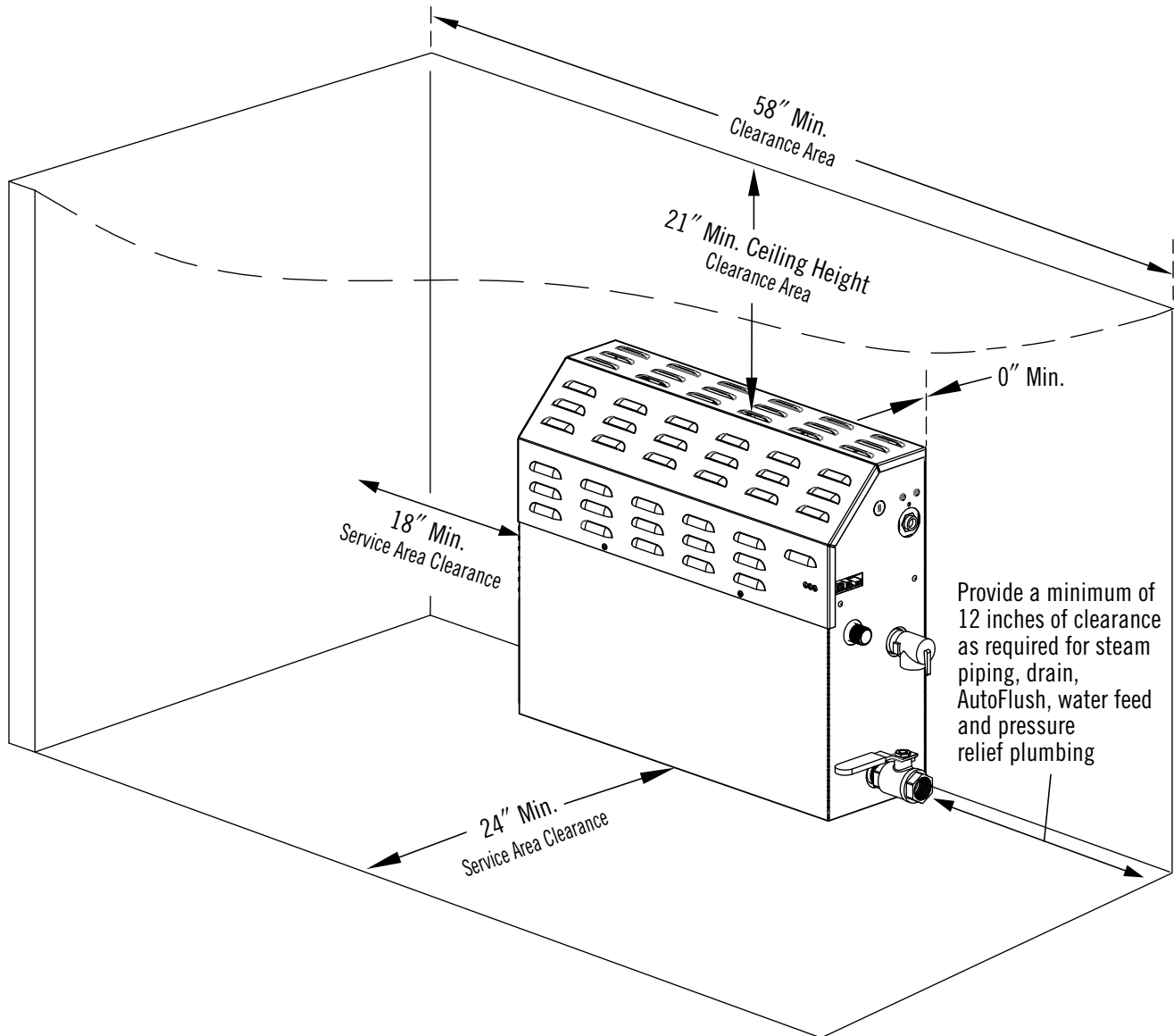
STEAM GENERATOR CLEARANCE SPECIFICATIONS

CAUTION Applies to 1-2

1. Do not install MAX series inside a vanity or other small enclosed spaces. Do not install under the steam room bench. Installing the MAX steam generator in a small enclosed space may result in elevated temperatures and an inoperable steam generator.
2. Locate the MAX series generator in a room with ventilation as required to prevent an increase in ambient temperature. Failure to provide adequate ventilation may result in elevated temperature and an inoperable steam generator.

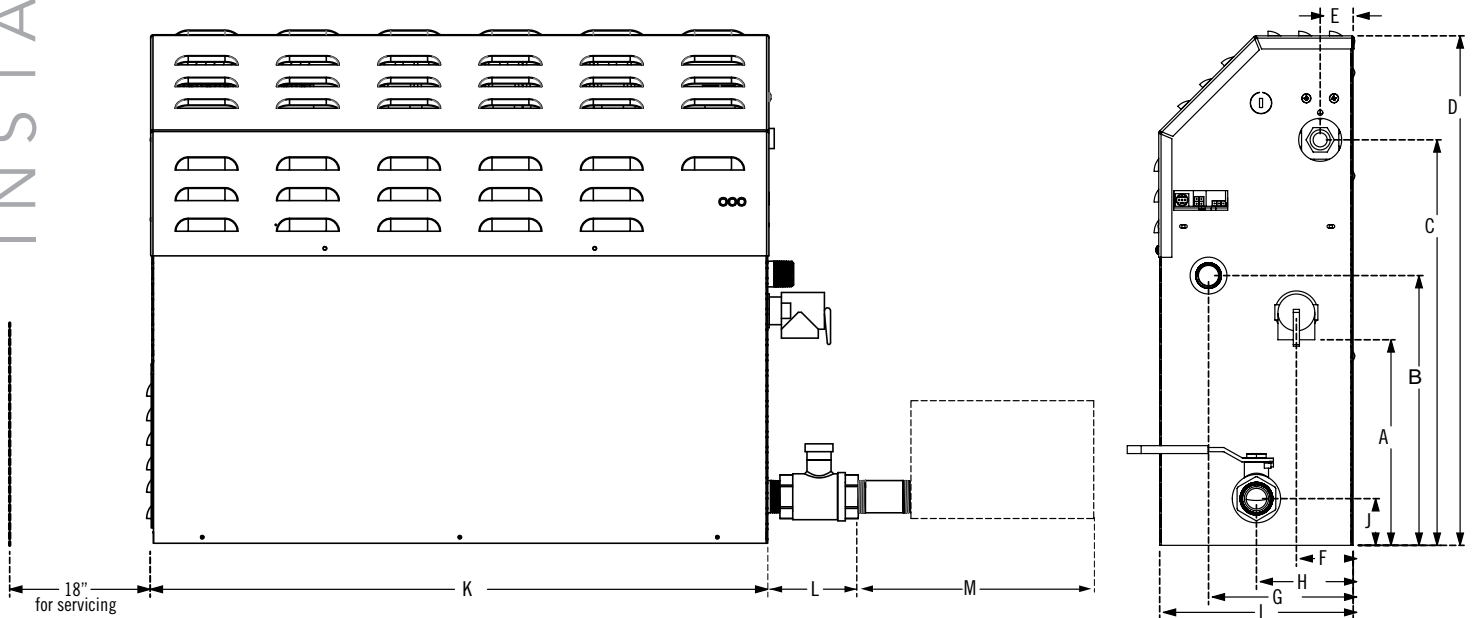
NOTICE Applies to 3-4

3. Minimum Clearance from Combustible Surfaces is zero all around.
4. For ease of servicing and installation, MrSteam recommends a minimum clearance around the steam generator as shown.



All drawings are for illustrative purposes only

STEAM GENERATOR DIMENSIONS



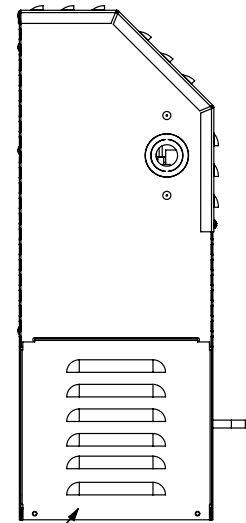
Dimensions

	MX4E-6E
A	9 ¾ (248)
B	11 (280)
C	16 ½ (419)
D	20 ¾ (527)
E	1 ¾ (34)
F	2 ¾ (60)
G	5 7/8 (150)
H	5 7/8 (150)
I	7 7/8 (200)
J	1 7/8 (48)
K	25 1/8 (638)
L	2 ¾ (60)
M	6 ¾ (162)

NOTES:

1. M=Optional AutoFlush.
Dimension includes 3½ inch nipple (not supplied)
2. All units in inches (MM)

⚠ WARNING TO AVOID EQUIPMENT DAMAGE DO NOT CONNECT POWER SUPPLY DIRECTLY TO ELEMENTS. Connecting power directly to the elements will result in a dry fire and result in elevated temperatures and a fire hazard.



Side View Showing Element Access Panel

All drawings are for illustrative purposes only

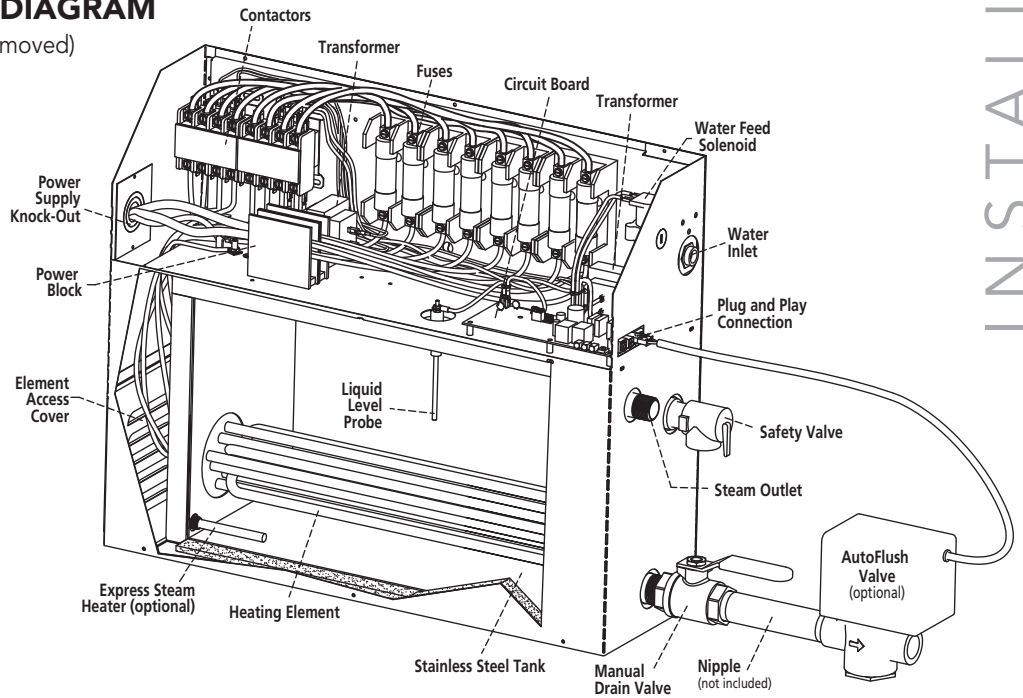
PARTS IDENTIFICATION DIAGRAM

(shown with AutoFlush® with cover removed)

⚠ WARNING

ALL DRAWINGS FOR ILLUSTRATIVE PURPOSES ONLY.

Some components may be omitted or altered for clarity. Do not use for wiring, plumbing, repair or other purposes not related to component identification.



REPLACEMENT PARTS LIST

Part No.	Description	Generator
103036	Manual Drain Valve	All Models
99297	Safety Valve 15PSI	All Models
100479	Water Feed Solenoid Valve w/filter	All Models
100477-3	Transformer 24VAC	All Models
104288	Circuit Board	All Models
103904	Tandem Cable for 2 generators (12 ft.)	All Models
103917	Tandem Cable for up to 5 generators (30 ft.)	All Models
103990-60	Cable for iTempo & AirTempo Control (60 ft.)	All Models
104117-30	Cable for iSteam, AirTempo & iTempo (30 ft.)	All Models
104117-60	Cable for iSteam (60 ft)	All Models
MSTS	Remote Temperature Probe for iTempo/Plus, AirTempo and iSteam3	All Models
103660	Fuse block 2-pole	All Models
104415	Power Block 175A	All 1-Phase Models (except MX6E 208V)
104419	Power Block 270A	MX6E-Phase 208V
104015	Express Steam Thermostat	All Express Models

Part No.	Description	Generator
103453	Contactor 50A 4-pole	All 1-Phase Models
104423	Liquid Level Probe	All Models
99096MX	Heating Element Gasket	All Models
103938RD	Acrylic Shield for Round Steamhead	All Models
103938SQ	Acrylic Shield for Square Steamhead	All Models
99314	Power Fuse 60A 250V	All Models
29201BMS	Heating Element 20 KW 208V	MX4E
29201CMS	Heating Element 20 KW 240V	MX4E
29241BMS	Heating Element 24 KW 208V	MX5E
29241CMS	Heating Element 24 KW 240V	MX5E
29301BMS	Heating Element 30 KW 208V	MX6E
29301CMS	Heating Element 30 KW 240V	MX6E
104019	Heating Element for Express Steam	All Express Models

PLUMBING

GENERAL

⚠ CAUTION

1. All plumbing shall be performed by a qualified licensed plumber and in accordance with applicable National and local codes.

NOTICE Applies to 2-4

2. Use unions on all pipe connections as required for service and removal of the steam generator.
3. Use only brass piping or rigid copper tubing. Use only piping as permitted by codes.
4. Do not use black, galvanized, PVC pipe or PEX except as noted below.

WATER SUPPLY (3/8" NPT)

NOTICE Applies to 1-9

1. Install a shut off valve in the water supply line.
2. It is recommended to install a strainer in the water supply line.
3. Install an anti-water hammer device as required.
4. Install an approved backflow preventer as required by local codes.
5. Connect the generator to a cold water line.
6. Water feed line may be flexible copper tubing, braided hose, PVC or PEX if permissible by local codes.
7. Do not overheat inlet solenoid valve with solder connections. Overheating will damage parts and result in a water leak.
8. Flush inlet water line thoroughly before making connection to the generator.
9. To reduce operating noise, reduce feed water pressure to between 15 - 20 psi is recommended. Optional pressure reducing valve part number 104198.

Plumbing Specifications

MX4E-6E	
Water Inlet	3/8" NPT
Steam Outlet	3/4" NPT
Safety Valve	3/4" NPT
Manual Drain Valve	1" NPT
AutoFlush Valve	1" NPT

DRAIN (1" NPT)

⚠ CAUTION Applies to 1-3

1. Do not connect the generator drain line to an undersink trap.
2. Do not drain into a steam enclosure or any location where accidental contact with drain water may occur. In the event of a power failure the AutoFlush valve will open and may discharge boiling water causing a scalding hazard.
3. Do not connect the drain valve to the steam piping. Connecting the drain line to the steam piping may allow boiling water to discharge through the steamhead causing a scalding hazard.

NOTICE Applies to 4-8

4. A drain valve is provided to facilitate maintenance and servicing. Provide a drain line connection from steam bath generator drain valve according to National and Local Codes.
5. Check local plumbing code for receptor, trap and vent requirements.
6. Do not connect Drain line and Safety Valve line together.
7. The steam generator drains by gravity. Plumb all drain lines accordingly.
8. See page 20 for installation of the optional Condensation Pan.

SAFETY VALVE (3/4" NPT)

Where permitted by local codes, provide an outlet plumbing connection for safety valve.

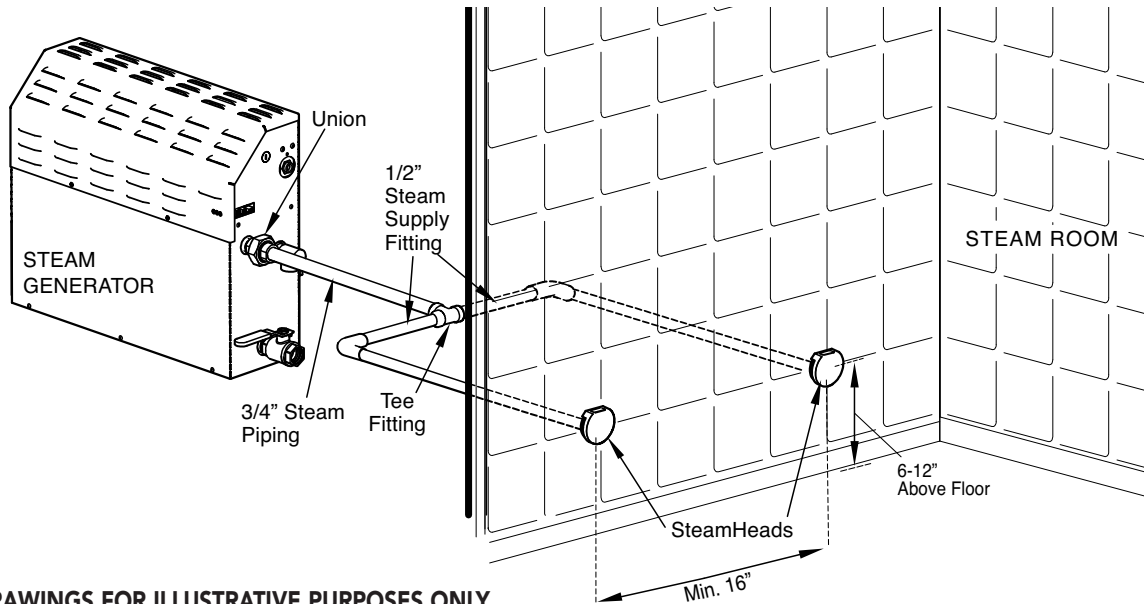
⚠ WARNING Applies to 1-3

1. To insure proper and automatic safety valve operation do not connect a shut off valve or a plug at safety valve outlet.
2. Do not connect a shut off valve or any obstruction to the safety valve.
3. Do not connect the safety-valve output to the steam piping.

AROMASTEAM

NOTICE If the optional AromaSteam Fragrance Delivery System (PN: MS AROMA) is to be installed, a 90 degree **T** plumbing fitting must be installed at a designated location on the steam piping. See the MrSteam AromaSteam Operation and Instruction Manual (PN: 100402) for installation information before the steam piping is installed at the technical downloads section of www.mrsteam.com.

STEAM SUPPLY PLUMBING (3/4" NPT)



ALL DRAWINGS FOR ILLUSTRATIVE PURPOSES ONLY.

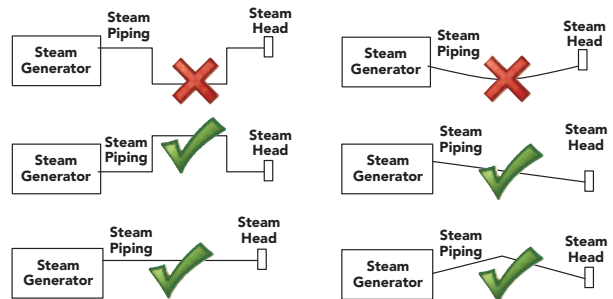
STEAM PIPING (1/2" NPT)

WARNING Applies to 1-5

1. Do not install any valve in steam piping. The flow of steam must be unobstructed.
2. MAX Steam Generators are supplied with, and must be installed with two or more steamheads. Using less than two steamheads will result in too much steam coming out of one steamhead and may result in scalding and personal injury.
3. Never use less than two steamheads.
4. Never use less than 3/4" steam piping from generator to Tee fitting. Using less than 3/4" steam piping will result in too much steam coming out of the steamheads and may result in scalding and personal injury.
5. Install steam piping as required (including routing, fittings and length of pipe) to insure an equal amount of steam reaches each steamhead. Unequal steam piping will result in too much steam coming out of one steamhead and may result in scalding and personal injury.

CAUTION Applies to 6-10

6. Use brass pipe or copper tubing from unit to steamhead as permitted by codes.
7. Insulate steam piping with fiberglass pipe insulation or similar insulation rated 212° F or higher.
8. Pitch steam piping 1/4" per foot towards steamhead or steam generator to avoid valleys and trapping of condensate. Running the steam piping down and then up will create a steam trap blocking or restricting the flow of steam.



WARNING Failure to pitch the steam piping as required for condensate to drain, may cause condensate to block the flow of steam. Blocking the steam flow may cause steam pressure to discharge boiling water through the steamhead, resulting in a scalding hazard. Blocking the flow of steam may cause steam to discharge through the safety valve, resulting in a scalding hazard.

9. Do not install piping so one steamhead has more steam than the other steamhead. Installing piping so one steamhead has more steam than the other steamhead may result in an excessive amount of steam to one steam, resulting in a scalding or burn hazard.
10. Consult with qualified designer, architect or contractor for steam room construction details.

NOTICE For the optimal distribution of steam, steamheads should be spaced evenly throughout the steam room.

STEAMHEAD INSTALLATION

⚠ WARNING Applies to 1-2

1. MAX Steam Generators must be installed with two or more steamheads. Using less than two steamheads will result in too much steam coming out of one steamhead and may result in scalding and personal injury.
2. Because the steamhead and direct steam emissions are very hot, locate the steamheads where incidental contact by bather with the steamheads or direct steam emission cannot occur.

⚠ CAUTION Applies to 3-4

3. Do not disassemble steamheads. The steamheads are shipped fully assembled and requires no additional assembly. Disassembly of the steamheads may result in a burn hazard.
4. Seal the gap between the wall and the steam supply pipe with silicone (or other 212°F heat resistant sealant) as required to create a moisture seal. Failure to create a moisture seal may allow moisture to enter the wall cavity and cause property damage.

NOTICE Applies to 5-6

5. To preserve the steamhead finish, do not use wrench or other tools to tighten. Do not use abrasive cleansers or chemicals. Use only water with mild soap and a non-abrasive sponge.
6. Contact the supplier of acrylic, fiberglass and other non-heat resistant enclosures for recommended steamhead location. Use Acrylic Shield PN 103938RD (round) or PN 103938SQ (square). See instructions provided with steam shield.

STEP 1

1. Locate the steamheads 6-12 inches above floor.
2. For tub/shower enclosures, install the steamheads 6 inches above tub top edge.
3. To prevent door seals or any material, product or surface from deteriorating, do not locate the steamheads where direct steam emission would come in direct contact with non-heat or moisture-resistant products or materials.
4. To reduce noise, do not locate steamhead within 12" from a wall.

STEP 2

Provide 1½" clearance holes around the steam pipes.

STEP 3

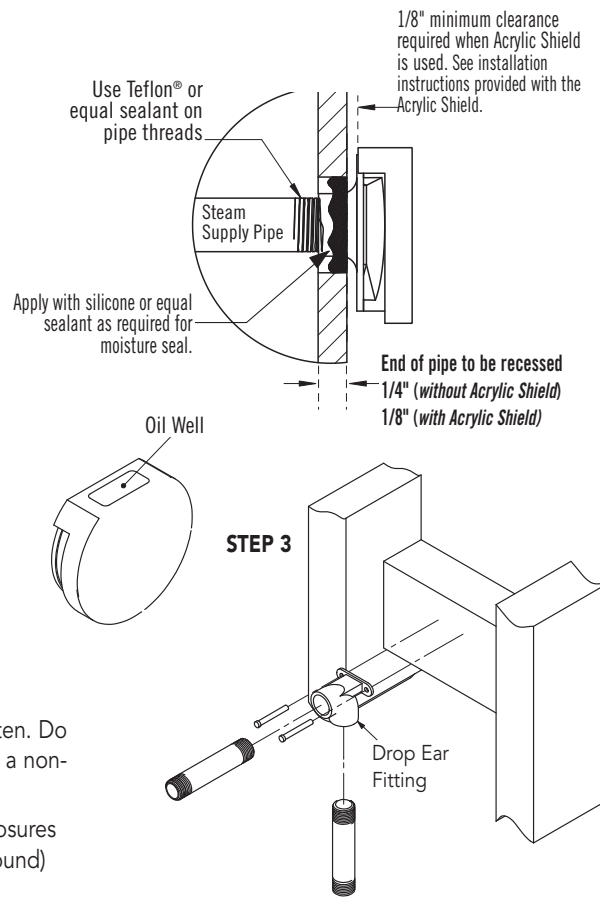
Secure a bronze drop ear fittings to a header and run a 3/4" copper steam piping from the steam generator to tee fitting and 1/2" steam piping after tee fitting to the drop ear fittings. Install a temporary nipples (6" or longer) in the drop ear fittings to locate the steamheads after the wall is finished.

STEP 4

After the wall has been finished, mark the surface of the wall for both nipples. Remove the nipples and measure the portion that was in the wall (the end to your mark). Subtract 1/4" from that dimension and select a brass nipples of that length to finish the installation.

STEP 5

Wrap teflon tape around the threads of the new nipples and screw the nipples into the steamheads. Wrap teflon tape around the threads of the nipples and screw the nipples and steamhead assemblies into the drop ear fittings in the wall. Hand tightening is sufficient when teflon or equal pipe thread sealing compound is used. The steamheads should be flush with the oil well facing up.



STEP 4

STEP 5

steamhead

Locating Nipple

ELECTRICAL

⚠ WARNING Applies to 1-9

1. Never use damaged equipment, doing so may result in an inoperative or hazardous installation.
2. All electrical wiring installation to be performed by a qualified licensed electrician in accordance with National Electrical Code and Local Electrical Code.
3. Connect electrical power supply to the power block only. Do not connect power supply directly to elements. Connecting power directly to the elements may result in a dry fire and result in elevated temperatures and a fire hazard.
4. For 208V units do not apply more than 218V service.
5. Use minimum 90° C/300V rated insulated copper conductors only, sized in accordance with National Electrical Code and Local Electrical Code for the current in Ampere Chart. If allowed by codes, NM cable may require a larger wire size than as listed on the chart.
6. Connect suitably sized equipment grounding wire to ground terminal provided. Neutral (white) wire is not required for 208V and 240V units.
7. Provide suitable over-current protection (fuses or circuit breaker).
8. Provide a power supply disconnect within sight of the steam generator or one that is capable of being locked in the open position as required by code.
9. Wire size (AWG) is based on minimum 90° C rated THHN copper conductors. Refer to the National Electric Code for other types of conductors.

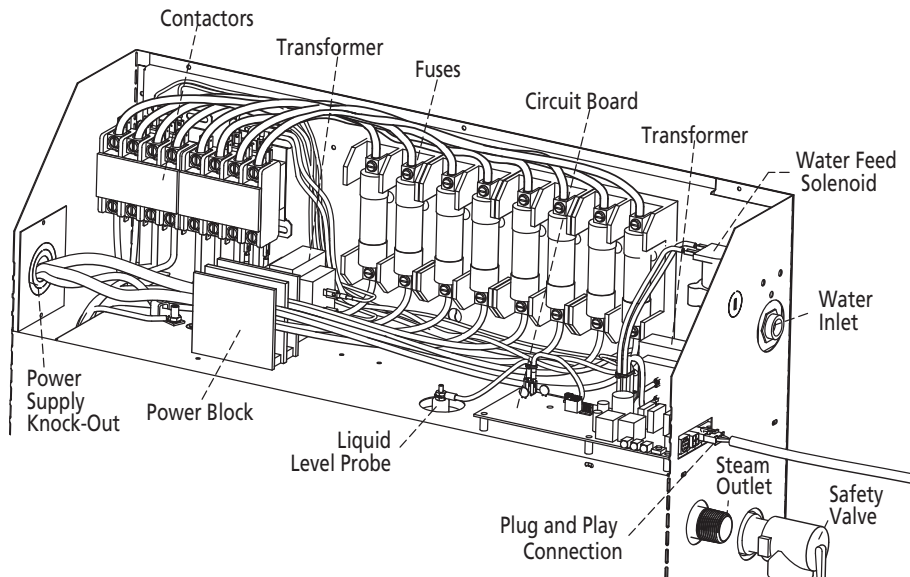
ELECTRICAL CHART

Model No.	Vol (Cu. Ft.*)	Max Room KW	Volts†	Phase	Amps	Wire Size (AWG) for 25° C
MX4E	875	20	208	1	97	1
				3	56	4
			240	1	84	3
				3	48	6
MX5E	1075	24	208	1	116	1/0
				3	67	4
			240	1	100	1
				3	58	6
MX6E	1275	30	208	1	145	3/0
				3	84	2
			240	1	125	2/0
				3	73	3

* See page 6 for room sizing

†All specifications shown are for 208V and 240V.

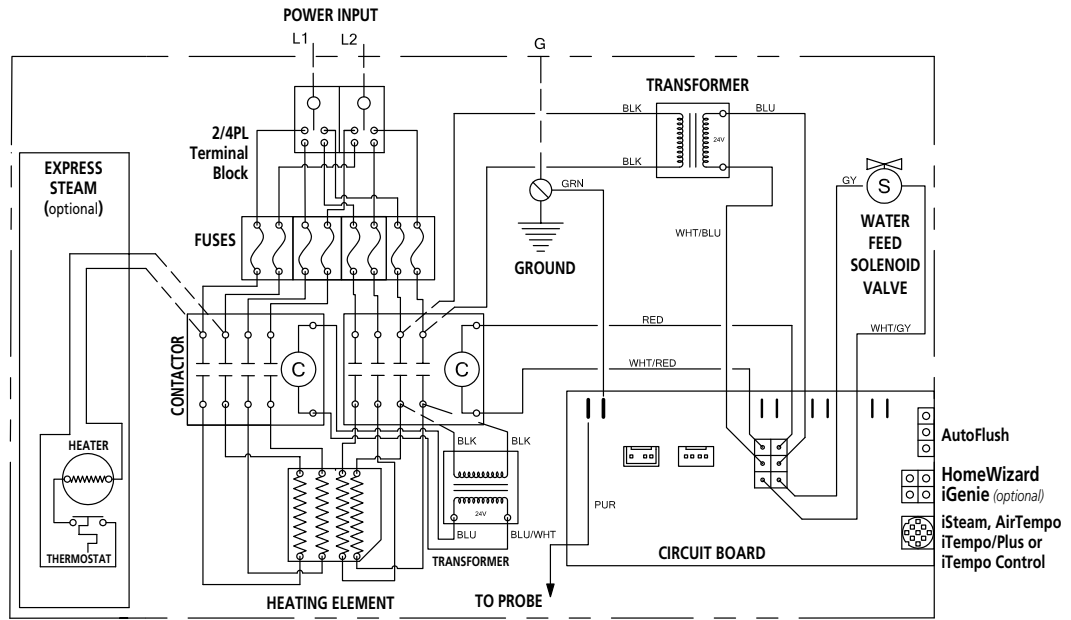
Consult factory for other voltage specifications.



All drawings are for illustrative purposes only

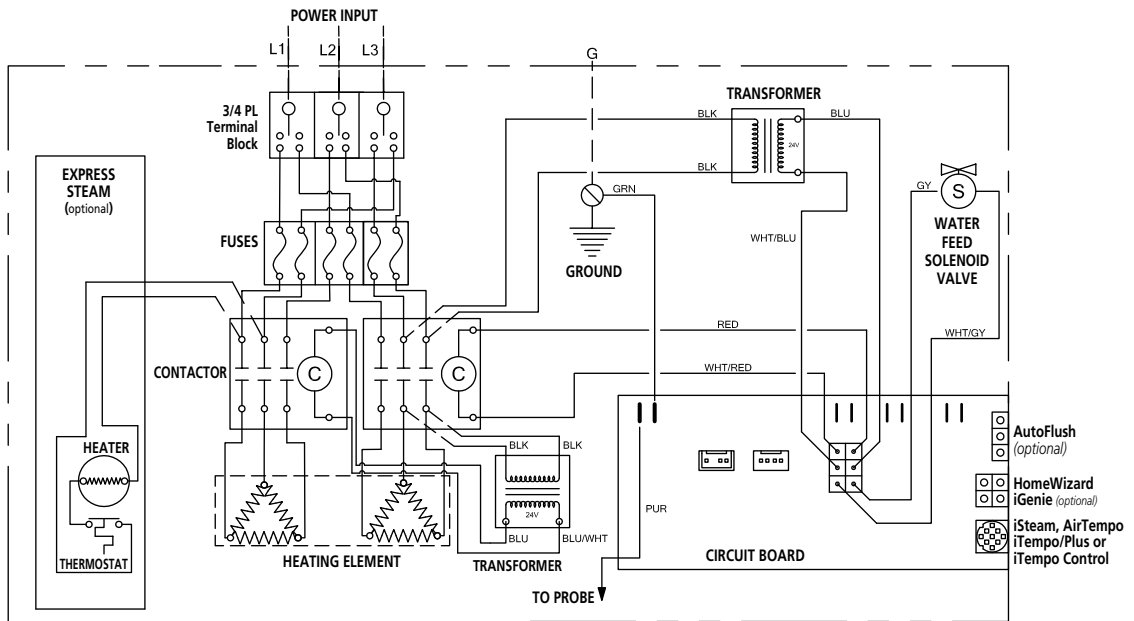
SINGLE PHASE 208/240 VOLT WIRING DIAGRAM

MODELS MX4E, MX5E, MX6E



THREE PHASE 208/240 VOLT WIRING DIAGRAM

MODELS MX4E, MX5E, MX6E



CONNECTING MULTIPLE GENERATORS

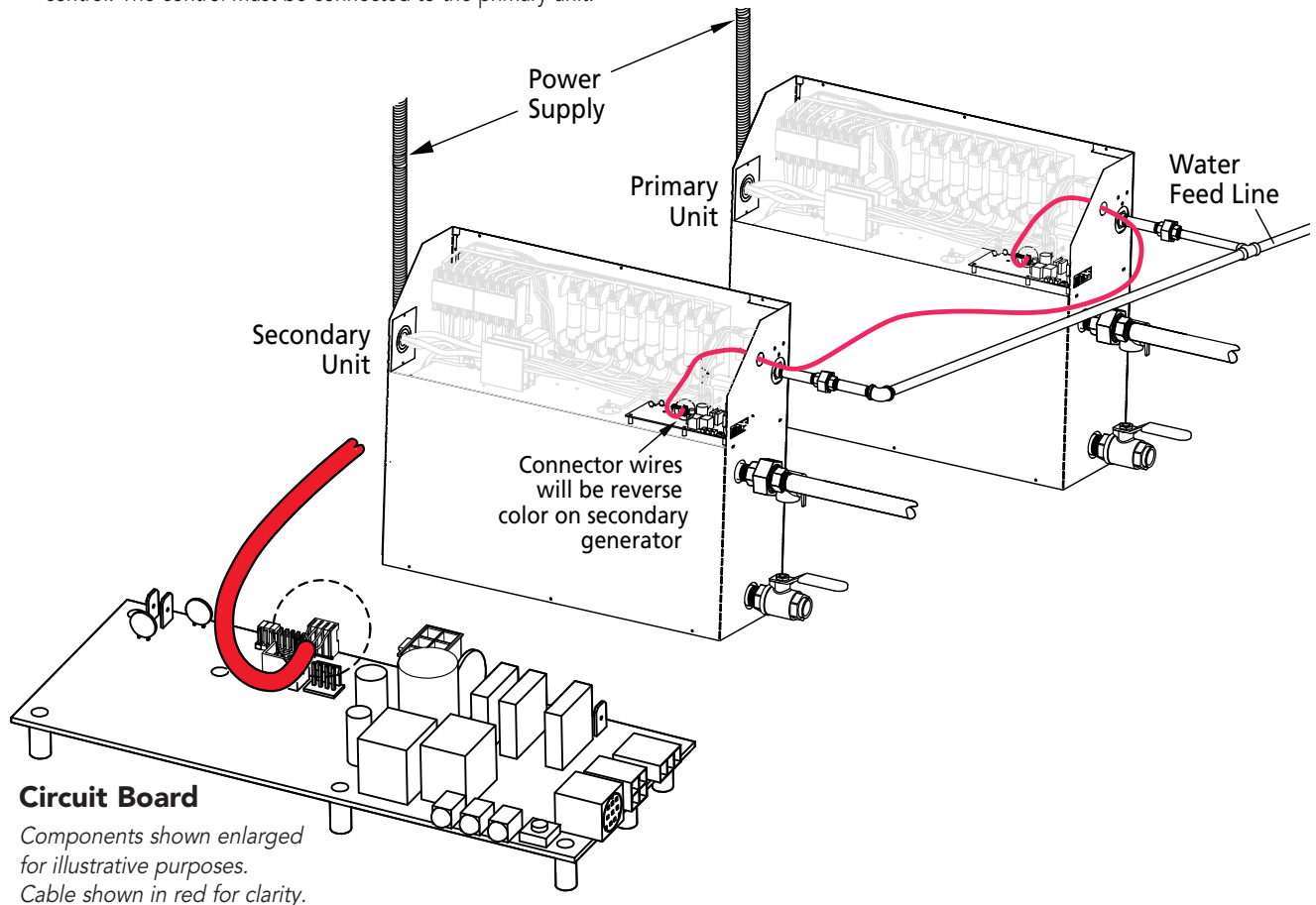
CAUTION Applies to 1-2

1. Install each unit as in a single installation. Install the generators as close to each other as possible while providing for all clearances as shown on page 7.
2. Shock hazard. Power must be disconnected at the main electrical supply before removing steam generator covers.

NOTICE Applies to 3-6

3. Connect the iSteam®, iTempo/Plus® or AirTempo® control to either unit as per the Installation Manual supplied with each control. The control must be connected to the primary unit.

4. Connect the generators with a tandem cable as follows:
 - Use Tandem Cable part number 103904 to connect two generators (cable is 12' long)
 - Use Tandem Cable part number 103917 to connect 3-5 generators (cable is 30' long).
5. Remove one knock-out on each generator. Insert the ends of interconnecting cable through the knock-outs. Connect each end to the circuit board as shown.
6. Connect separate plumbing and power supplies for each unit.



POST INSTALLATION

STEAM GENERATOR SYSTEM START-UP AND CHECKOUT

1. Turn the control ON. Follow specific instructions provided with the controls.
2. Steam will begin to appear at the steamhead in approximately 5 minutes (unless equipped with factory-installed Express Steam option). Steam will shut OFF when desired temperature is reached and will automatically resume when room temperature drops below the desired temperature.
3. Steam will shut OFF when control counts down to zero. To shut steam off manually, turn control OFF. To clear steam from enclosure area, turn shower ON before opening door.
4. If unit does not start and control does not turn ON (control display does not light up) then turn breaker off for 20 seconds and try again.
5. Check all internal and external plumbing fittings for leaks while the steam is ON.

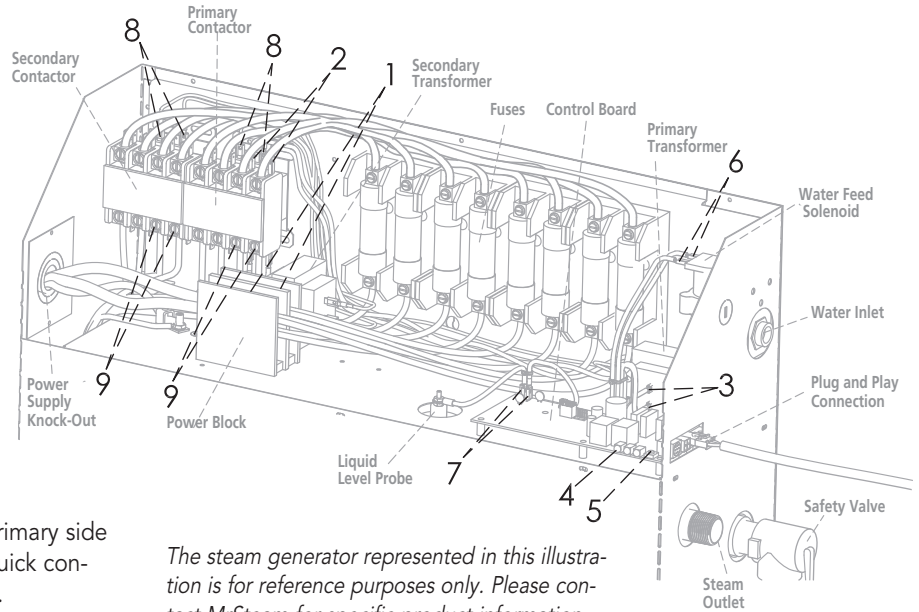
TROUBLESHOOTING

WARNING Applies to 1-2

1. Electric shock hazard. MrSteam steam generators are connected to high voltage and contain live electrical components. All installation and service to be performed by qualified and licensed electricians only. Installation or service by unqualified persons or failure to use MrSteam parts may result in property damage or in a personal injury.
2. Do not disassemble or service any components. Internal components contain no serviceable parts.

NOTICE The model and serial number is printed on the data plate on the front of the steam bath generator. Please have this information available when contacting Technical Services.

Note: Disconnect all connections going to the steam generator. When disconnecting the AutoFlush connector, close manual drain valve.



The steam generator represented in this illustration is for reference purposes only. Please contact MrSteam for specific product information.

Step 1 Check main incoming power to the unit.

Step 2 Ensure the black wires from the primary side of the transformer are connected to the quick connect tabs on the line side of the contactor.

Step 3 Verify that 24 VAC is coming out of the transformer, WHITE & WHITE/BLUE wires, into the circuit board.

Step 4 Verify that the green light on the Circuit Board is ON.

Step 5 Push the white Force-On test button on the circuit board (see page 17) to run the generator for a 10 minute test cycle. Make sure the steam room is empty.

Step 6 Verify 24 VAC to the water feed solenoid, GRAY & WHITE/GRAY wires (will fill when needed).

Step 7 Temporarily short out the WLS (Purple wire) and GROUND (Green wire) terminals and verify that the contactor engages.

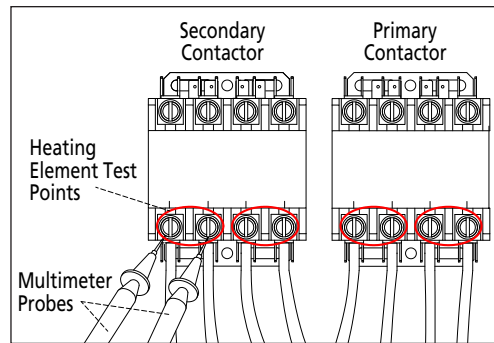
Step 8 When the red light is ON, verify 24 VAC, RED & WHITE/RED wires, to the contactor.

Step 9 Check main voltage on the load side of the contactor when it is engaged.

Step 10 If all steps on the power path were verified, turn OFF power to the unit.

Step 11 Using multimeter, check the resistance (ohms) of each heating element test point, as shown in Resistance Range Chart.

Contactor Test Points



Resistance Range Chart

Model No.	Voltage (V)	Resistance Range (Ohms)	
		7.8	9.5
MX4E	208	7.8	9.5
	240	10.4	12.7
MX5E	208	6.5	7.9
	240	8.6	10.6
MX6E	208	5.2	6.3
	240	6.9	8.4

EXPLANATION OF THE STATUS CODES DISPLAYED ON THE CONTROL

The control (either iSteam®, AirTempo®, iTempo® or iTempo/Plus®) may display a status code if the steam generator is not functioning properly.

Code	Code Meaning	Probable Cause	Suggested Remedy
H20	Water level is not satisfied within 5 minutes	Water Supply is off	Turn on Water Supply
		Defective water feed solenoid	Check/replace water solenoid valve
		Water feed probe not functioning	Check/clean probe. Check probe wiring
		Drain Valve Open	Check/Close drain valve
		AutoFlush not functioning	Check/Replace AutoFlush
Prr1 or Prr2	Temperature Probe Error	Control cable/MSTS cable cut	Replace control cable/MSTS
		Internal problem with control/MSTS	Replace control / MSTS
Err1	Incorrect Field Supply Voltage (green light on Circuit Board will be off)	Incorrect voltage supplied to Generator	Supply steam generator with the correct voltage noted on the data plate label
Err2	Button on control is pressed for more than 5 minutes	Control cover misalignment	Remove and reinstall control cover
		Debris behind control cover	Remove control cover and clean cover, control and keypad with a damp cloth
Errb	Water level not satisfied in a tandem set up - Check secondary generators, see H20.		
Err7	Circuit Board malfunction	Memory error in Circuit Board	Press ON/OFF to clear. Replace control if code remains

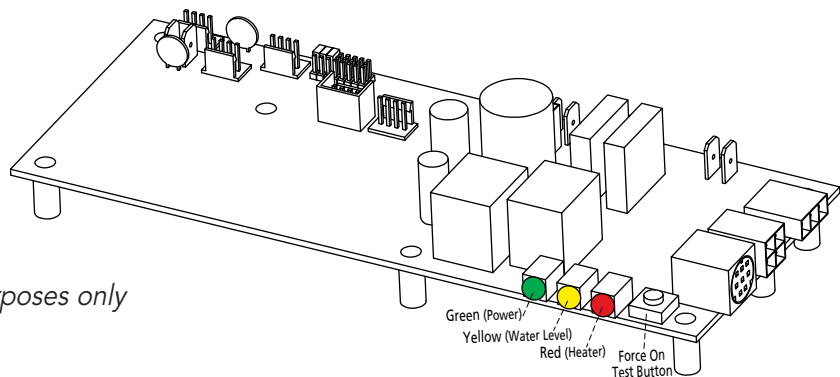
Additional Error Codes can be found in the control installation instructions.

EXPLANATION OF LED INDICATORS ON THE CIRCUIT BOARD

⚠ WARNING Electric shock hazard. MrSteam steam generators are connected to 240V line voltage and contain live electrical components. All installation and service to be performed by qualified and licensed electricians and plumbers only. Installation or service by unqualified persons or failure to use MrSteam parts may result in property damage or in a personal injury.

GREEN	LED is ON when there is 208/240 Volt incoming power connected, 24 Volt transformer secondary output and on-board 5 Volt DC control power are present.
YELLOW	Water level indicator-LED is OFF when no water is detected (for more than 5 seconds). ON when water level is satisfactory. For units with AutoFlush, if more than two hours have elapsed since last usage and the LED is ON it is indicative of an AutoFlush or water level probe circuit malfunction. Except when the Express Steam is installed, Express Steam units will refill after AutoFlush cycle.
RED	Contacting relay indicator-LED is ON when relay is closed and sending 24 Volts to the contactor coil. (This LED comes ON if the generator is ON.)
FORCE ON TEST BUTTON	Press this button to operate the generator. This button is for trouble shooting only and will operate if a control is connected or not. Pressing the button again will shut the generator OFF. The test button will only allow the generator to operate for 10 minutes.

**Circuit Board
PN 104288**
(shown without wiring)



All drawings are for illustrative purposes only

ASSESSORIES

CONTROL INSTALLATION

Refer to Installation Instructions for the specific control

⚠ WARNING Applies to 1-7

1. Install the iSteam, AirTempo, iTempo or iTempo/Plus controls according to installation instructions, provided with the controls. Failure to install according to instructions will result in an inoperative control or hazardous overheating or inadequate heating of the steam room.
2. The iSteam®, AirTempo®, iTempo® and iTempoPlus controls are designed to be installed inside or outside the steam room as a matter of personal preference. If an iSteam, AirTempo, iTempo or iTempoPlus control is installed outside the steam room a Remote Temperature Probe (PN MST5) must be installed inside the steam room per installation instructions supplied with the Remote Temperature Probe. Failure to install according to instructions will result in an inoperative control and overheating of the steam room.
3. Do not route iSteam, AirTempo, iTempo/Plus, iTempo, HomeWizard or iGenie control wiring inside conduit together with power lines or close to hot water or steam piping. Doing so may result in an inoperative or hazardous installation.
4. Do not alter or modify any MrSteam product. Doing so may result in an inoperative or hazardous installation and will void the UL listing and warranty.
5. If the control is installed inside the steam room the control must be located 4-5 feet above the floor near the bather seating area. Failure to install the control 4-5 feet above the floor may result in an inoperative control and over or under heating of the steam room.
6. The control features an integral temperature sensor. Locate the control in a location representative of the desired steam bathing temperatures. Do not locate the control above or near the steamhead or direct steam emissions. Locating the control near the steamhead will not allow the temperature sensor to record the correct room temperature and result in inadequate heating.
7. Locate the control on a vertical wall.

⚠ CAUTION Applies to 8-10

8. To avoid unintentional steambath operation, do not locate the control where other controls, accessories, shower heads, valves, body sprays or similar within the shower could cause confusion or interfere with the MrSteam control's intended use and function.
9. Do not use any iSteam®, AirTempo®, iTempo/Plus®, iTempo®, HomeWizard® or iGenie® controls without reading and understanding its own manual and the MrSteam steam generator Installation and Operation Manual. Failure to read and understand these instructions may result in an inoperative or hazardous installation.
10. Do not operate iSteam, AirTempo, iTempo/Plus, iTempo, HomeWizard or iGenie controls with other than a MrSteam iSteam, AirTempo, or iTempo compatible steam generator. MrSteam residential steam generators with serial numbers lower than 900000, or any other brand of steam generator are not to be operated with iTempo controls. Doing so may result in an inoperative or hazardous installation. If iSteam is used with a generator having serial number less than 1174000, contact MrSteam technical support for an upgraded PC board.

NOTICE Applies to 11-14

11. Turn power to the steam generator OFF before connecting any control to the generator. Failure to turn the power off will result in an inoperable control.
12. Discontinue use of the steam generator or control if the steam generator is damaged or otherwise not functioning properly. Operating a damaged steam generator may result in an inoperative or hazardous installation.
13. The control cable should be run in a dedicated 1" conduit to facilitate installation and service.
14. The standard control cable length is 30 feet. Ensure that the control and/or steam generator are located accordingly. Contact a MrSteam technical service representative if a 60 foot cable is required. Excess control cable should be neatly coiled and twisted into a figure 8.

Control	30' Cable (standard)	60' Cable (optional)
iSteam	104117-30	104117-60
iTempoPlus	104117-30	103990-60
iTempo	104117-30	103990-60
AirTempo	104117-30	103990-60

OPTIONAL AUTOFLUSH®

OPERATION

The optional AutoFlush automatically drains the generator following each use. A time delay allows the water to cool down (about two hours) before it drains by gravity for a safe and gentle operation.

At the start of the flush cycle, the generator will drain and fill with water at the same time. This flush cycle will continue for approximately 5 minutes, then the generator will stop filling with water and the AutoFlush valve will remain open until the next steam session.

If the Express Steam® option has been installed, the AutoFlush will drain for ten minutes then refill with fresh water to begin the pre-heat cycle.

INSTALLATION

SWEAT FITTINGS When using sweat fittings use only tin base solder with a melting point below 600 degrees F. Do not overheat. Ends of water supply tubing must be thoroughly clean for a minimum distance of 1" from ends. Do not remove valve cover.

WARNING Applies to 1-4

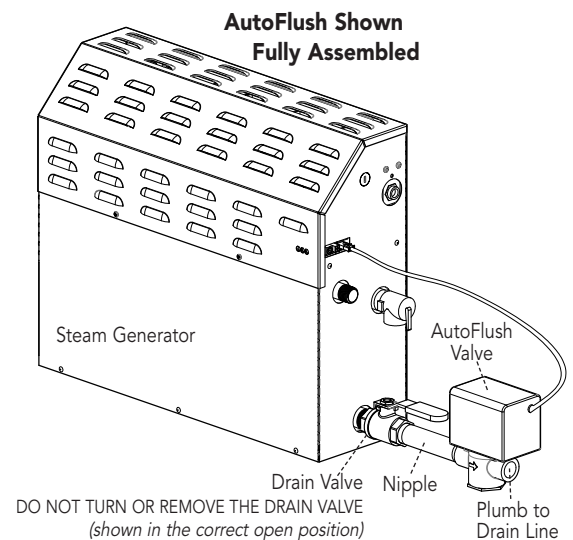
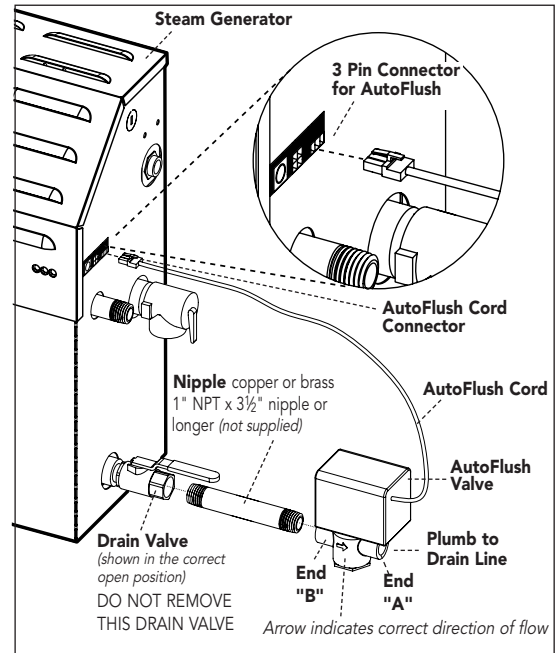
1. Do not connect the generator drain line to an undersink trap.
2. Do not plumb the generator drain and condensation pan drain together in such a way that will cause drain water to back into condensation pan. Water backing up into the Drain Pan may overflow and cause a leak and property damage.
3. Do not drain into a steam enclosure or any location where accidental contact with drain water may occur. In the event of a power failure the AutoFlush valve will open and may discharge boiling water causing a scalding hazard.
4. Do not connect the drain valve to the steam piping. Connecting the drain line to the steam piping may allow boiling water to discharge through the steamhead causing a scalding hazard.

CAUTION

5. Do not remove the drain valve. Removal may cause equipment and property damage. If there is not enough room for the valve, an elbow and a short nipple (not provided) can be added.

NOTICE Applies to 6-17

6. A drain valve is provided to facilitate maintenance and servicing. Provide a drain line connection from steambath generator drain valve according to National and Local Codes.
7. Check local plumbing code for receptor, trap and vent requirements.
8. Do not connect Drain line and Safety Valve line together.
9. The steam generator drains by gravity. Plumb all drain lines accordingly.
10. The Drain is open when the Drain Valve handle is aligned with brass nipple.
11. Connect the AutoFlush cord connector to the three pin connector as shown.
12. Plumbing to be performed by a qualified plumber and shall be in accordance with applicable national and local codes.
13. Unit drains by gravity. A drain line that is lower than the AutoFlush® assembly must be available.



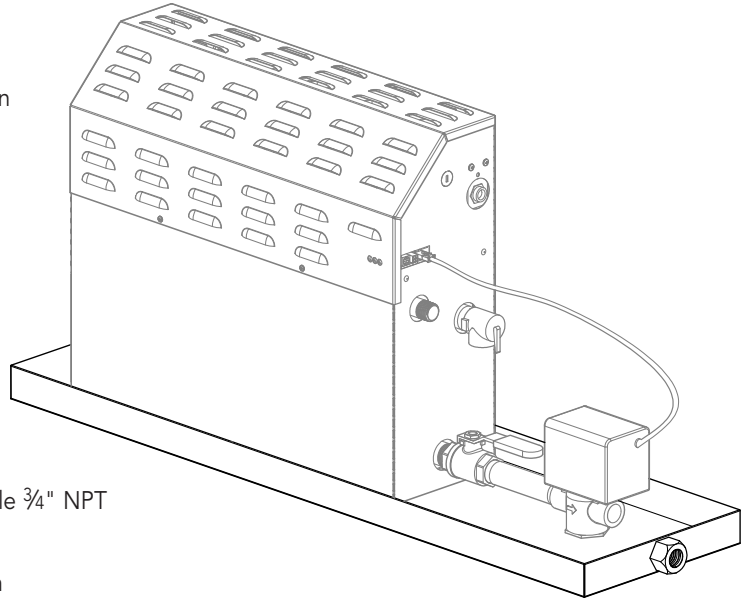
14. The AutoFlush valve outlet is 1" NPT.
15. Use copper or brass nipple 1" NPT x 3/2" or longer (not supplied) to connect AutoFlush valve (end "B") to the Drain Valve (valve end "A" and "B" are indicated on bottom of AutoFlush Valve).
16. An arrow on the AutoFlush valve indicates the correct direction of flow.
17. To Check Operation:
 1. Turn ON control and allow tank to fill with water.
 2. Turn OFF control. Water should stay in tank.
 3. Turn OFF power at the panel box. Water should discharge from tank.
 4. Turn ON power at panel box.
 5. Repeat.

All drawings are for illustrative purposes only

OPTIONAL CONDENSATION PAN

CAUTION Applies to 1-7

1. MrSteam strongly recommends the use of a condensation pan in the unlikely event of a plumbing leak.
2. Locate the condensation pan on a solid level surface and place the steam generator inside the condensation pan. Ensure the steam generator is level (see page 5 for locating the steam generator).
3. All plumbing shall be performed by a qualified licensed plumber and in accordance with applicable national and local codes. Check local plumbing code for receptor, trap and vent requirements.
4. Condensation pans drain by gravity.
5. The condensation pan is equipped with an integral female $\frac{3}{4}$ " NPT fitting for connection to the drain.
6. Do not plumb the generator drain and condensation pan drain together in such a way that will cause drain water to back into condensation pan and cause a leak and property damage.
7. See pages 10-11 for complete drain line and plumbing instructions.



IMPORTANT! This Installation, Operation and Maintenance Manual includes information for safe and reliable installation of the residential steam generator. MrSteam offers numerous options and accessories for use with the steam generator. Some of the options and accessories must be considered when installing the steam generator as they require special plumbing, electrical or space accommodations. Please use the chart below to identify which options and accessories must be considered during steam generator installation.

Accessory/Options	Part No.	Impact on Steam Generator
AromaSteam Fragrance Pump	MSAROMA	Plumbing line 6 ft. cable length
iSteam3 Control	iSteam3-BK iSteam3-WH	Limited by 30 ft. or 60 ft. cable
AirTempo Control	AIRTBK + Designer Code* AIRTWH + Designer Code*	Consider wireless range, maximum range is 60 ft.
iTempo Control	MSITEMPORD + Designer Code* MSITEMPOSQ + Designer Code*	Limited by 30 ft. or 60 ft. cable
iTempo/Plus Control	MSITPLUSRD + Designer Code* MSITPLUSSQ + Designer Code*	Limited by 30 ft. or 60 ft. cable
Linear Steam Head	104216, 104217	Plumbing
Home Wizard	HOMEWIZARD-BLK HOMEWIZARD-WH	Limited by 30 ft. or 60 ft. cable
ChromaSteam3 Color Lighting	MSCHROMA3-BK MSCHROMA3-WH CHROMA3DUOBK CHROMA3DUOBK CHROMA3DUOWH	Limited by 60 ft. cable
AudioSteam Music Experience	MSAS3	Limited by 60 ft. cable
SteamLinx App Module	STEAMLINX	Limited by 60 ft. wireless range between modules

* Designer Codes:

PC= Polished Chrome PN = Polished Nickel BN=Brushed Nickel PB= Polished Brass BB=Brushed Bronze
ORB=Oil Rubbed Bronze SB=Satin Brass MB=Matte Black WH=White Glass Fascia BK=Black Glass Fascia RAW=Raw

H O M E O W N E R S E C T I O N

IMPORTANT SAFETY INFORMATION

As you follow these instructions, you will notice warning and caution symbols. This blocked information is important for the safe and efficient installation and operation of this steam bath system. These are types of potential hazards that may occur during installation and operation:

⚠ WARNING Indicates a potentially hazardous situation, which, if not avoided, could result in death or serious injury.

⚠ CAUTION Indicates a potentially hazardous situation, which, if not avoided may result in minor or moderate injury or product damage.

NOTICE This highlights information that is especially relevant to a problem-free installation.

All information in these instructions is based on the latest product information available at the time of publication. Sussman-Automatic Corporation reserves the right to make changes at any time without notice. More current instructions may be available at www.mrsteam.com.

⚠ WARNING Applies to 1-17

1. Steam rooms contain steam and elevated temperatures. Please read and observe all warnings in this manual before using a steam room.
2. Discontinue use of the steam generator and control if the steam generator or control are damaged or otherwise not functioning properly. Using damaged equipment may result in an inoperative or hazardous installation
3. The MAX series of steam generators are for residential use only. Commercial or other nonresidential applications void the warranty and may adversely affect product performance and may represent a safety hazard.
4. Read these instructions before installation, operation or service.
5. Although the MAX steambath generators have been fully qualified for shipment by MrSteam, the following must be reviewed for proper, safe and enjoyable steam bathing:
 - Verify that the model and accessories specifications are correct for the incoming line voltage.
 - Ensure steambath generator has been correctly sized for the steam room. Pay particular attention to room volume and construction. If any questions, please refer to MrSteam sizing and selection guide on page 6 or call MrSteam.
6. Supervise children at all times.
7. Steam is hot and can cause injury or death if improperly used.
8. Prolonged use of the steam system can raise excessively the internal human body temperature and impair the body's ability to regulate its internal temperature (hyperthermia). Limit your use of steam to 10-15 minutes until you are certain of your body's reaction.
9. Excessive temperatures have a high potential for causing fetal damage during the early months of pregnancy. Pregnancy or possibly pregnant women should consult a physician before using a steam bath.
10. Obese persons and persons with a history of heart disease, low or high blood pressure, circulatory system problems, or diabetes should consult a physician before using a steambath.
11. Persons using medication should consult a physician before using a steambath since some medication may induce drowsiness while other medications may affect heart rate, blood pressure and circulation.
12. Electric shock hazard. MrSteam steam generators are connected to high voltage and contain live electrical components. All installation and service to be performed by qualified and licensed electricians and plumbers only. Installation or service by unqualified persons or failure to use MrSteam parts may result in property damage or in a personal injury.
13. If you are pregnant, have a coronary condition, are in poor health, are being treated for any other medical condition, or are using medication or drugs, MrSteam recommends that you obtain the approval of a physician before use. For information about this product and safety issues, call 1.800.76.STEAM.
14. Do not install or use any iSteam®, AirTempo®, TempoPlus®, iTempo®, HomeWizard® or iGenie® controls without reading and understanding the Control Installation and Operation Manual. Failure to read and understand these instructions may result in an inoperative or hazardous installation.
15. If an iSteam, AirTempo, iTempo or iTempo/Plus control is installed outside the steam room a Remote Temperature Probe (PN MST5) must be installed inside the steam room per installation instructions supplied with the Remote Temperature Probe. Failure to use a Remote Temperature Probe or failure to install according to instructions will result in an inoperative control and overheating of the steam room.
16. To prevent slip and fall hazards non-slip strips must be installed on the steam room floor.
17. Do not alter or modify any MrSteam product. Doing so may result in an inoperative or hazardous installation and will void the warranty.

IMPORTANT SAFETY INFORMATION (cont.)

CAUTION Applies to 14-17

- 14. The wet surfaces of steam enclosures may be slippery. Use care when entering or leaving.
- 15. The steamhead is hot. Do not touch the steamhead and avoid the steam near the steamhead.
- 16. The information in this manual should be used in conjunction with consultations with an architect, designer and contractor in determining factors necessary in providing a suitable and safe steam room.
- 17. MrSteam steam generators are intended to be operated with MrSteam controls and accessories only, and are to be installed strictly in accordance with the specific instructions contained in this manual and as supplied in the manuals provided with the controls or accessories.

NOTICE Applies to 18-22

- 18. This document contains important safety, operation and maintenance information. Do not discard this document.
- 19. Read the Installation and Operation Manual of all controls and accessories available at www.mrsteam.com.
- 20. Record the model and serial number of the steam generator in the space provided in the table of contents of this manual.
- 21. If acrylic, fiberglass or other non-heat resistant materials are used as part of the steam room enclosure consult with the material manufacture and see page 12, "Steamhead Installation" for additional details.
- 22. Carefully inspect the steam generator and packaging for shipping damage. In the event of shipping damage, please contact the carrier for claim information. MrSteam customer service department can assist you with any missing or damaged parts.

WARNING

HYPERTHERMIA occurs when the internal temperature of the body reaches a level several degrees above the normal body temperature of 98.6° F. The symptoms of hyperthermia include an increase in the internal temperature of the body, dizziness, lethargy, drowsiness, and fainting. The effects of hyperthermia include:

- a) Failure to perceive heat;
- b) Failure to recognize the need to exit the steambath;
- c) Unawareness of impending risk;
- d) Fetal damage in pregnant women;
- e) Physical inability to exit the steambath
- f) Unconsciousness.

The use of alcohol, drugs, or medication can greatly increase the risk of hyperthermia.

WARNING

The manual supplied with the generator includes a peel and stick warning label. Its proper use is an essential part of providing a safe environment for steam room users. The peel and stick warning label must be applied to the wall of the shower or steam enclosure, at a point that is visible to all users. Failure to install this sticker may result in serious injury or death. The location where this owner's manual is kept shall be written in the space provided on the label using permanent ink. For a replacement warning label contact MrSteam customer service at 1-800-76-STEAM or hello@mrsteam.com.

 WARNING
<p>REDUCE THE RISK OF OVERHEATING AND SCALDING</p> <ol style="list-style-type: none"> 1. EXIT IMMEDIATELY IF UNCOMFORTABLE, DIZZY OR SLEEPY. STAYING TOO LONG IN A HEATED AREA IS CAPABLE OF CAUSING OVERHEATING. 2. SUPERVISE CHILDREN AT ALL TIMES. 3. CHECK WITH A DOCTOR BEFORE USE IF PREGNANT, DIABETIC, IN POOR HEALTH OR UNDER MEDICAL CARE. 4. BREATHING HEATED AIR IN CONJUNCTION WITH CONSUMPTION OF ALCOHOL, DRUGS, OR MEDICATION IS CAPABLE OF CAUSING UNCONSCIOUSNESS. 5. DO NOT CONTACT STEAM HEAD OR STEAM AT THE STEAM HEAD.
<p>REDUCE THE RISK OF SLIPPING AND FALL INJURY</p> <ol style="list-style-type: none"> 1. USE CARE WHEN ENTERING OR EXITING THE STEAM ROOM. FLOOR MAY BE SLIPPERY
<p>NOTE: FOR ADDITIONAL SAFETY CONSIDERATIONS SEE OWNER'S MANUAL WHICH IS KEPT: _____ THE OWNER'S MANUAL CAN BE FOUND AT WWW.MRSTEAM.COM</p>
<p>USE OF STEAM ROOM IN CONJUNCTION WITH CONSUMPTION OF ALCOHOL CAN BE DANGEROUS AND CAN RESULT IN INJURY THROUGH SLIP AND FALL OR OTHERWISE.</p>
<p><small>mr.steam® 45-20 34th Street Long Island City NY 11101 1-800-76-STEAM www.mrsteam.com PUB100529 8.18</small></p>

Not Actual Size

SETTING THE STEAM BATH TEMPERATURE AND DURATION

WARNING Set the steam bathing temperature according to personal preference, however it is highly recommended to begin steam bathing at a low temperature setting to gauge comfort and safety levels. Set duration to a maximum of 10 minutes to gauge comfort and safety levels. This will allow the steam generator to heat up and begin producing steam while providing a short steam bath session.

CARE TIPS FOR ALL CONTROLS AND STEAMHEADS

1. Use only mild soap and water on a soft cloth to clean the control and steamhead.
2. Do not use abrasive cleansers.
3. If the decorative cover is damaged on the iTempo or iTempo/Plus call MrSteam technical service for replacement parts.

NOTICE Replacement of the decorative covers requires removal and reinstallation of the control from the mounting surfaces.

STEAM GENERATOR MAINTENANCE

MrSteam steambath generators require little maintenance. Other than periodic draining, maintenance procedures are minimal. Every 2 months, or more often in "hard" water areas, the manual drain valve should be opened fully flushing out accumulated materials, salts and other particles which are natural by-products of boiling water.

WARNING Applies to 1-2

1. Draining immediately after a steam cycle may expose PVC and other piping to high temperature water. Check local codes. The unit will refill automatically when the control is activated again. In areas of hard water, a MrSteam AutoFlush® system is recommended for generator longevity.
2. Failure to allow the water to cool will expose the equipment and user to scalding water and cause property and personal injury. Flush a minimum of 8 hours after the control has been turned off to insure that the water has cooled.

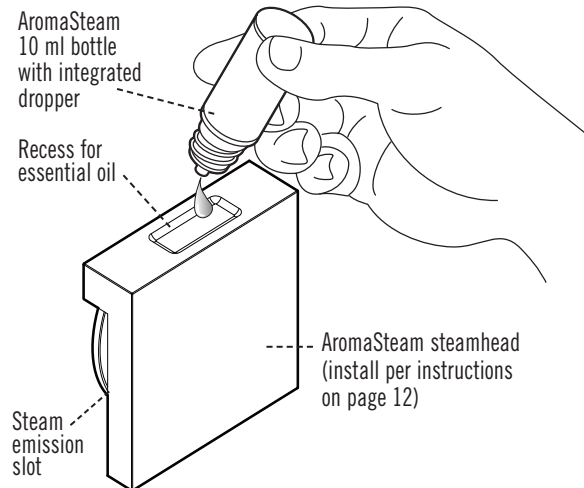
USING MrSteam ESSENTIAL OILS

Enjoy AromaSteam essential oils by placing a drop or two into an unheated AromaSteam steamhead as shown in the illustration. Only use MrSteam AromaSteam essential oils in the MrSteam AromaSteam steamhead.

WARNING Essential oils and/or aroma therapy can cause inflammation, burns, headache, nausea and allergic reactions. Consult a physician before using aroma therapy.

CAUTION Applies to 1-6

1. Use essential oils with caution. Essential oils are for external use only. Keep out of reach of children. Essential oils are highly concentrated and are potent substances and should not be applied directly to the skin as they can be irritants. Use essential oils with caution.
2. Place the drops into the MrSteam AromaSteam steamhead recess prior to turning on the steambath. Do not place drops in a hot steamhead as serious injury can result if you do not follow this warning.
3. Start with one drop to gauge strength and suitability. Limit to a maximum of a few drops for a steam bathing session.
4. The bather should exit the steambath immediately if dizziness occurs. If skin irritation occurs stop using the oils immediately. Remove any excess oil by washing in



mild soap and water. If ingested, rinse mouth with water. Administer water or milk to dilute. Contact a physician immediately.

5. Aromatic oils should be added to steamhead before turning on the steambath unit. DO NOT add oil during steam bathing or when the steamhead is heated.
6. Tightly close bottles when storing oils. Keep bottles away from sources of ignition.

WARRANTY

To view or download the MrSteam Residential Generator Warranty and register your Product go to: **www.mrsteam.com**

mr.steam[®]

Feel Good Inc.[®]

www.mrsteam.com

Products, information and specifications are subject to change without notice.

Please call Technical Support at 1.800.76.STEAM (East Coast) or 1.800.72.STEAM (West Coast) for more information.

NOTICE

The model and serial number is printed on the data plate on the front of the steam bath generator. Have this information available when contacting Technical Service.

mr.steam[®] Sussman-Automatic Corporation[®] | hello@mrsteam.com | www.mrsteam.com

43-20 34th Street, Long Island City, NY 11101 TEL: 1 800 76 STEAM | 9410 S. La Cienega Blvd. Inglewood CA 90301 TEL: 1 800 72 STEAM

2020 © Sussman-Automatic Corporation | MrSteam and des., A Lifetime of Pleasure, AirTempo, AromaFlo, AudioWizard, AutoFlush, AutoSteam, Butler Package, ChromaSteam, Clean Steam...Every Time, Club Therapy, CT Day Spa, Digital 1, Express Steam, Feel Good Inc., From Bathroom to Spa, HomeWizard, iButler, iGenie, iSpa Package, iSteam, iTempo, iTempo/Plus, Linear Steamhead, Making Wellness a Way of Life, Music Therapy, My Steam, SmartSizing, Spa Package, Steam Genie, Steam on Demand, Steam in a Box, Steam@Home, SteamStart, SteamTherapy, Sussman, Tala, Tala Bath & Body, Tempo, The Intelligent Steambath, Valet Package, and Virtual Spa System are registered trademarks of Sussman-Automatic Corporation. PUR 100420A 3.20