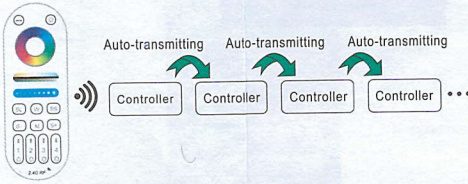



4. Auto-transmitting Diagram

One strip controller can transmit the signals from the remote control to another controller within 30m, as long as there is a strip controller within 30m, the remote control distance can be limitless.



5. Connect to LED strip

 Controller input voltage must be in accordance with the required voltage of LED Strips.
Input voltage=Output Voltage

Connect to Single Color LED strip diagram



Connect to CCT LED strip diagram



Connect to RGB LED strip diagram



Connect to RGBW LED strip diagram

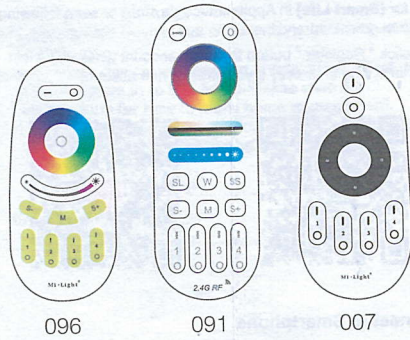


Connect to RGB+CCT LED strip diagram

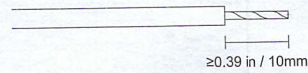
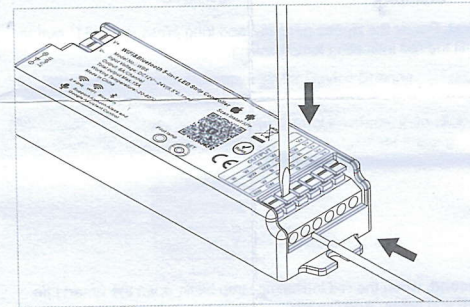



6. Remote Controller

Compatible with these remote controls (Purchased separately).
 For more details, pls read the remote instruction.



8. Free screw when connecting to LED strip



 Controller can not use in humid area

  
 Made in China